



SNOWMOBILES



FORMERLY
CAMOPLAST
SOLIDEAL

2019 SNOWMOBILE TRACKS



Polaris® has partnered with Camso® to offer Polaris® and non-Polaris® OE replacements and aftermarket options.





TABLE OF CONTENTS

Why A New Track?	04
Trail	08
Cross Over	18
Mountain	28
Utility	38
Miscellaneous	42
Specifications	44

WHY A NEW TRACK? DO MORE WITH OUR TECHNOLOGY

Has your sled lost the edge it had when you first bought it? Are you looking to do more with your stock machine? A replacement track can push your journey to new levels of performance.

All our tracks are manufactured internally through a unique process that cures the final product in full form and in one step.

Our technology ensures the product is balanced and reduces track vibration. We analyze different lug designs and evaluate what features would aid flotation and traction.

Material selection and placement creates the lightest weight, most efficient track on the market.

The result? The summit of durability and performance helping riders go further in any condition or environment.

FEEL THE DIFFERENCE

Camso® tracks will go beyond limits.

- Better traction on any surface
- Better handling and stability
- Quicker acceleration
- Shorter stopping distances on hard surfaces
- Better flotation in soft, deep snow



THE 4 KEYS TO TRACK SELECTION

LENGTH

The inside circumference of the track calculated as the drive pitch multiplied by the number of track segments. It must be correct to the nearest inch for proper fit without additional modifications to the skid frame.*

WIDTH

The measurement across the track governed by the width of the tunnel.

- A slightly narrower track is permissible, like a 15" track in place of a 16" track, but not necessarily the other way around

DRIVE PITCH**

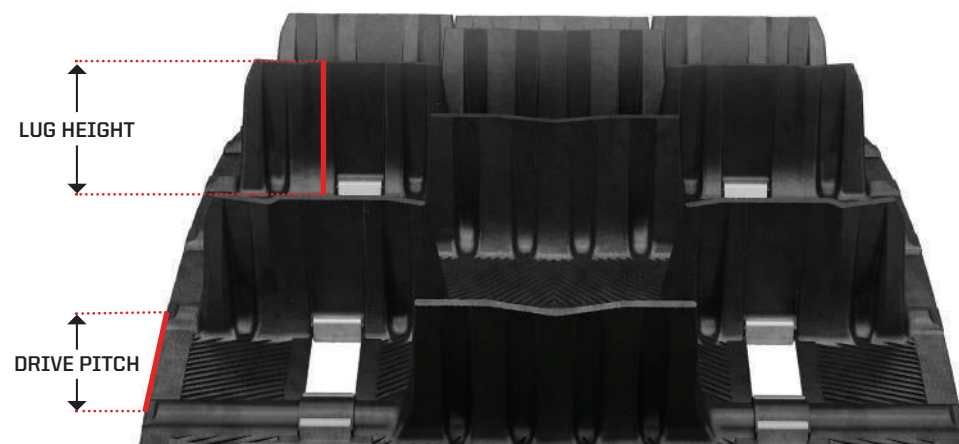
The drive cog center distance around the circumference of the cogs on the drive axle. It must match the existing track or the drive cogs must be changed.

- 2.52" primarily machines manufactured before 2007
- 2.86" especially on recent models manufactured after 2007
- 3" and new 3.5" drive pitch for lowest weight on select mountain sleds

LUG HEIGHT***

The distance lugs extend above the track surface.

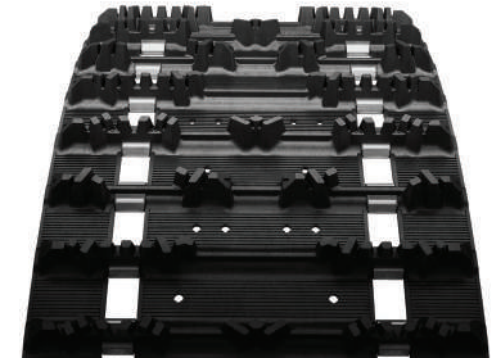
- Trail: 1" - <1.5"
- On/Off Trail: 1.5" - <2"
- Deep Snow: 2" and greater



● ENHANCED STUD EASY TRACKS[†]

Our pre-holed models are a great choice for trail sled applications.

- No drilling necessary, with quick, easy stud installation
- Track belting is enhanced and properly punched for studding
- Featured stud patterns developed by the industry's leading traction manufacturer
- One-year limited warranty^{††}



■ SINGLE-PLY CONSTRUCTION[†]

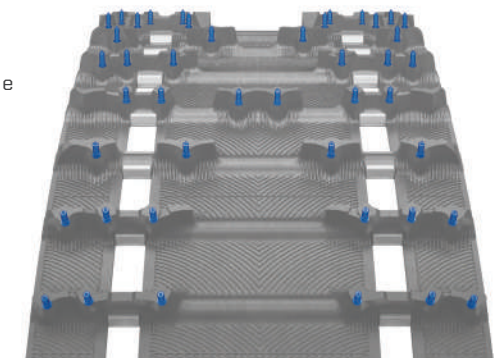
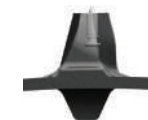
Advanced track carcass technology reduces weight and improves performance.

- Lower internal friction means you use less engine power
- Reduced rolling resistance for improved top speed and fuel economy
- Cooler running results in longer track life

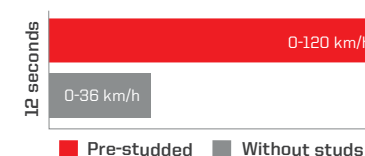
▲ EMBEDDED SHARP TIP LUG STUDS[†]

Our factory pre-studded tracks provide enhanced traction and control over tracks without studs as well as convenience and savings compared to conventional studding.

- Better control on icy hills and corners
- Only adds 1lb of weight to the track
- Eliminates stud installation time and trouble
- No stud installation or maintenance costs



TRACKING



BRAKING



* Aftermarket parts are available for mods when needed.

** Some other drive pitches are also found on older models.

*** Check for adequate clearance before going to a taller lug track.

[†] Find pictograms on the product pages to help you choose the right track for your sled.

^{††} Studs and related hardware not covered by Camso[®] warranty policy. Contact stud and related hardware manufacturer for warranty policy.



WHICH TRAIL TRACK IS RIGHT FOR YOU?

TRAIL ON-TRAIL AGGRESSIVE RIDERS, POWER RIDERS OR CRUISERS

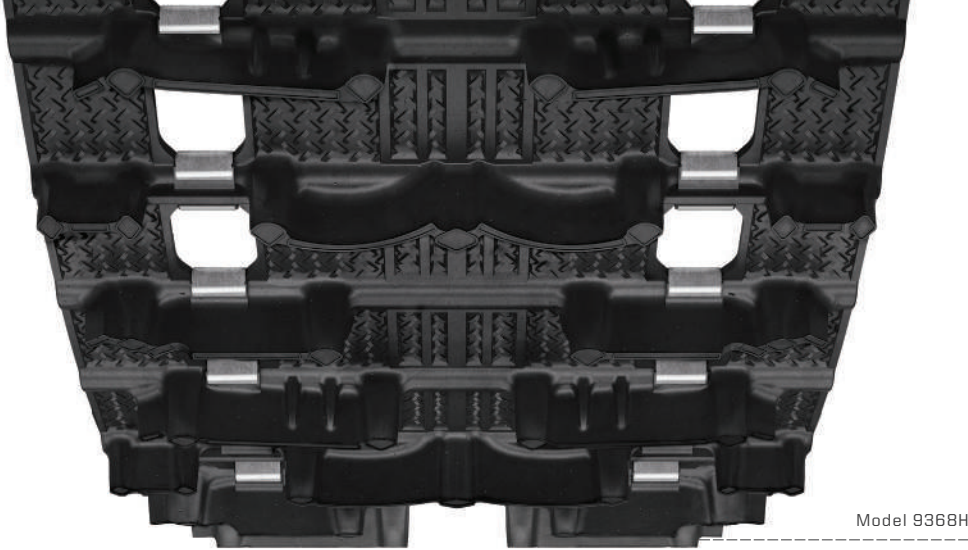
Tame the trails, no matter what the conditions:

Cruisers seeking smooth handling for big-mile efficiency and touring groomed trails all day long.

Aggressive riders who live for the adrenaline rush of top-notch traction that slingshots them around corners and crushes moguls.

Power riders with a need for speed: pure acceleration across lake trails and endless straightaways.

		TRACK / LUG HEIGHT (in)									
		STORM 150	COBRA	RIPSAW	RIPSAW II	ICE RIPPER XT	ICE ATTACK XT	ICE ATTACK	HACKSAW	RIPSAW II	
RIDING DEFINITION		1.5	1.352	1.25	1.25	1.25	1.22	1.063	1	1	
RIDING STYLE	AGGRESSIVE	VERSATILITY	✓			✓		✓			
		MOSTLY GROOMED	✓		✓		✓		✓		
		MOSTLY UNGROOMED	✓	✓				✓			
	SPEED	TRAIL				✓			✓		✓
		LAKE			✓					✓	
	CRUISER	TRACTION				✓		✓	✓		✓
EFFICIENCY						✓			✓		



Model 9368H

STORM 150

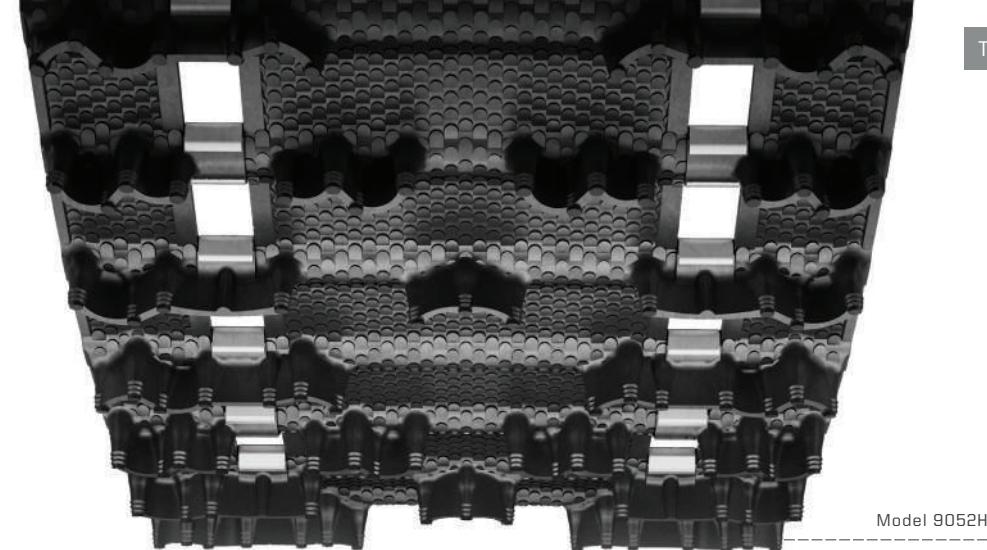


PRECISION AND THUNDERING ACCELERATION

For aggressive adrenaline-fueled performance both on and off trail. The Camso® Storm 150 is designed for modern rider-forward riding with a unique two-lug height design. It provides breathtaking acceleration on-trail, excellent flotation off-trail and crisp control under all circumstances.

- 1.25" outer lugs provide power through the tightest turns with ease, maintaining momentum and rider control
- 1.5" cup-shaped center lugs provide deep snow flotation, and gut wrenching acceleration on packed trails
- Optimized support columns provide the right balance of lug rigidity and flex for performance across the entire power band

POLARIS MODEL#	CAMSO MODEL#	DIMENSIONS	LUG HEIGHT	WEIGHT	DRIVE PITCH	CLIP CONFIG.	PRICE	
2839368 5416617	9368H	15" x 120" (38 cm x 305 cm)	1.5" (38mm)	34.7 lb (15.7 kg)	2.86" (73mm)	Full	\$699 ⁹⁹	NEW
2839369 5416605	9369H	15" x 129" (38 cm x 328 cm)	1.5" (38mm)	37.2 lb (16.9 kg)	2.86" (73mm)	Full	\$749 ⁹⁹	
2839370 5416618	9370H	15" x 137" (38 cm x 348 cm)	1.5" (38mm)	39.6 lb (17.9 kg)	2.86" (73mm)	Full	\$779 ⁹⁹	
2839371	9371H	15" x 146" (38 cm x 370 cm)	1.5" (38mm)	42.1 lb (19.1 kg)	2.86" (73mm)	Full	\$819 ⁹⁹	NEW



Model 9052H

COBRA

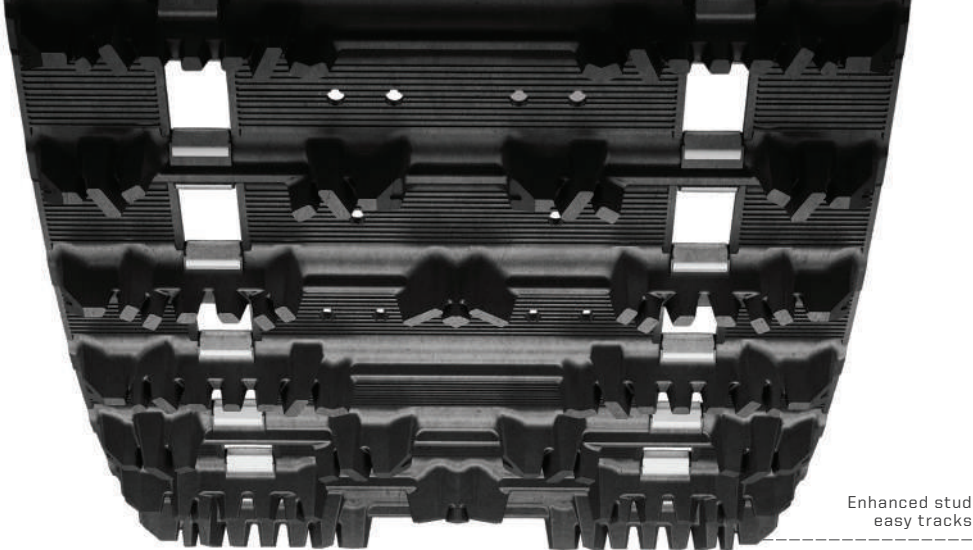


KEEP A FIRM GRIP ON THE TRAIL

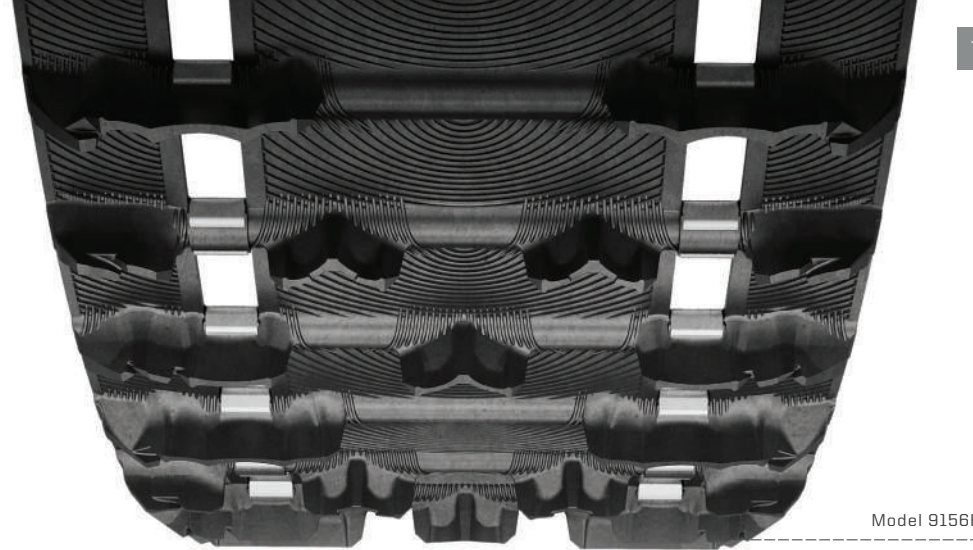
Designed for comfort as well as superior traction and control on soft, loose and unpacked snow surfaces.

- Cupped lugs for superior acceleration and braking in loose, soft snow conditions
- Flexible lug design for superior off-trail performance
- Softer, thinner lugs generate less noise for improved rider comfort

POLARIS MODEL#	CAMSO MODEL#	DIMENSIONS	LUG HEIGHT	WEIGHT	DRIVE PITCH	CLIP CONFIG.	PRICE
2839052	9052H	15" x 121" (38 cm x 307 cm)	1.352" (34 mm)	37 lb (16.75 kg)	2.52" (64 mm)	Full	\$639 ⁹⁹
2839061	9061H	15" x 136" (38 cm x 345 cm)	1.352" (34 mm)	42 lb (19 kg)	2.52" (64 mm)	Full	\$699 ⁹⁹
5416296	9081H	15" x 128" (38 cm x 325 cm)	1.352" (34 mm)	40 lb (18.25 kg)	2.52" (64 mm)	Full	\$649 ⁹⁹
2839107 5414013	9107H	15" x 144" (38 cm x 366 cm)	1.352" (34 mm)	44 lb (20 kg)	2.52" (64 mm)	Full	\$779 ⁹⁹
2839235	9235H	15" x 129" (38 cm x 328 cm)	1.352" (34 mm)	36 lb (16.25 kg)	2.86" (73 mm)	Full	\$689 ⁹⁹
2839284	9284H	15" x 120" (38 cm x 305 cm)	1.352" (34 mm)	34 lb (15.5 kg)	2.86" (73 mm)	Full	\$649 ⁹⁹
2839307 5413661	9307H	15" x 137" (38 cm x 348 cm)	1.352" (34 mm)	39 lb (17.75 kg)	2.86" (73 mm)	Full	\$729 ⁹⁹



Enhanced stud easy tracks



Model 9156H

RIPSAW



EXCELLENT DURABILITY AND TRACTION

One of the best trail tracks ever offered and still a bestseller today, with rigid, hard-wearing lugs for mile after mile of dependable use. A wide range of sizes fits many different snowmobiles. This is the benchmark model for high-performance trail tracks, with excellent durability and traction on groomed or hard-pack snow.

- Rigid lugs provide superior handling, acceleration and braking on groomed trails
- Narrow lug base for reduced rolling resistance and maximum top speed
- Angled profiles for aggressive forward and lateral bite

POLARIS MODEL#	CAMSO MODEL#	DIMENSIONS	LUG HEIGHT	WEIGHT	DRIVE PITCH	CLIP CONFIG.	PRICE
2839001	9001H	13.5" x 128" (34 cm x 325 cm)	1.25" (32 mm)	34 lb (15.5 kg)	2.52" (64 mm)	Every 3 rd / closed windows	\$639 ⁹⁹
2839146	9146M	15" x 121" (38 cm x 307 cm)	1.25" (32 mm)	35 lb (16 kg)	2.52" (64 mm)	Every 3 rd / open windows	\$569 ⁹⁹
2839149	9149H	15" x 120" (38 cm x 305 cm)	1.25" (32 mm)	35 lb (16 kg)	2.86" (73 mm)	Full	\$689 ⁹⁹
2839968	9968H	15" x 121" (38 cm x 307 cm)	1.25" (32 mm)	40 lb (18.25 kg)	2.52" (64 mm)	Full	\$649 ⁹⁹
2839969 5411955	9969H	15" x 136" (38 cm x 345 cm)	1.25" (32 mm)	43 lb (19.5 kg)	2.52" (64 mm)	Full	\$699 ⁹⁹

RIPSAW II

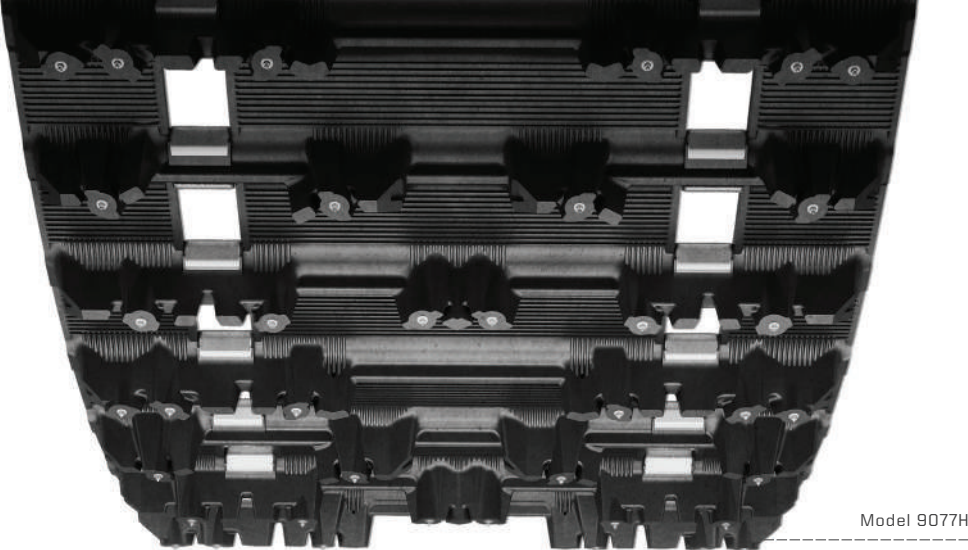


ALL-AROUND PERFORMER IN ALL TYPES OF SNOW

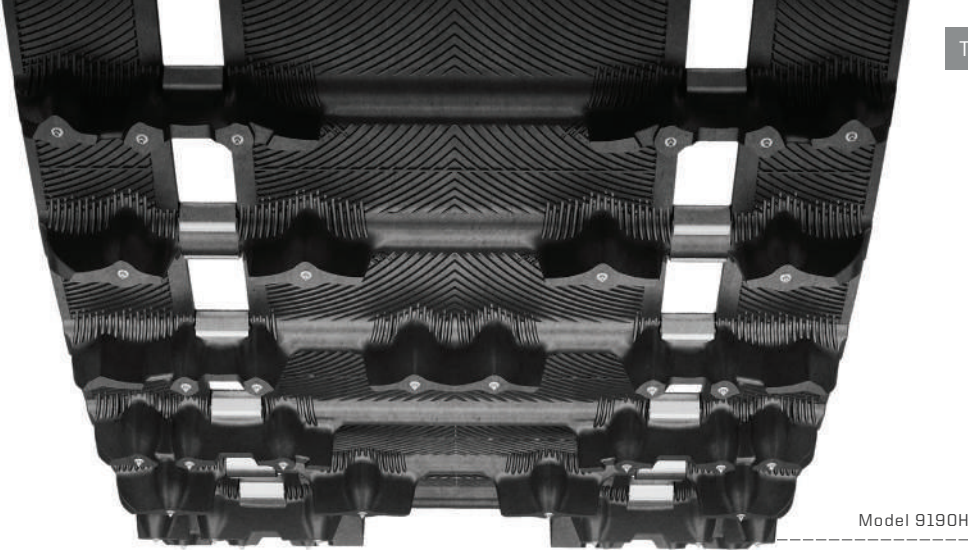
Designed for all-around trail performance - excellent traction on both hard-pack and loose, less-compacted snow with ride comfort features.

- Tapered outside lug edges for less side bite when cornering
- Sharp angled lugs for excellent bite on hard-pack snow
- Cupped center and full outer lugs for traction on loose, less-compacted snow
- Lug design generates less noise for improved rider comfort on hard-packed groomed trails

POLARIS MODEL#	CAMSO MODEL#	DIMENSIONS	LUG HEIGHT	WEIGHT	DRIVE PITCH	CLIP CONFIG.	PRICE
2839156	9156H	15" x 120" (38 cm x 305 cm)	1.25" (32 mm)	36 lb (16.25 kg)	2.86" (73 mm)	Full	\$599 ⁹⁹
5414002	9158H	15" x 120" (38 cm x 305 cm)	1" (25 mm)	32 lb (14.5 kg)	2.86" (73 mm)	Full	\$913 ⁹⁹
2839209 5414653	9209H	15" x 120" (38 cm x 305 cm)	1.25" (32 mm)	37 lb (16.75 kg)	2.86" (73 mm)	Full	\$649 ⁹⁹
2839214 5415100	9214H	15" x 121" (38 cm x 307 cm)	1.25" (32 mm)	41 lb (18.5 kg)	2.52" (64 mm)	Full	\$619 ⁹⁹
2839215	9215H	15" x 128" (38 cm x 325 cm)	1.25" (32 mm)	43 lb (19.5 kg)	2.52" (64 mm)	Full	\$669 ⁹⁹
2839216	9216H	15" x 136" (38 cm x 345 cm)	1.25" (32 mm)	45 lb (20.5 kg)	2.52" (64 mm)	Full	\$699 ⁹⁹
2839223 5414654	9223H	15" x 137" (38 cm x 348 cm)	1.25" (32 mm)	42 lb (19 kg)	2.86" (73 mm)	Full	\$699 ⁹⁹



Model 9077H



Model 9190H

ICE RIPPER XT



HANDLES AND HOLDS

The original factory pre-studded track is a proven performer. With a design that gives riders outstanding handling and stability, it's a true classic.

- Factory pre-studded for improved traction and control
- 1.25" lug height for improved traction and stability
- RipSaw-based attack angled lugs for excellent forward and lateral bite

POLARIS MODEL#	CAMSO MODEL#	DIMENSIONS	LUG HEIGHT	WEIGHT	DRIVE PITCH	CLIP CONFIG.	PRICE
▲ ■ 2839077	9077H	15" x 121" (38 cm x 307 cm)	1.25" (32 mm)	39 lb (17.75 kg)	2.52" (64 mm)	Full	\$799 ⁹⁹
▲ ■ 2839079	9079H	15" x 136" (38 cm x 345 cm)	1.25" (32 mm)	44 lb (20 kg)	2.52" (64 mm)	Full	\$899 ⁹⁹

ICE ATTAK XT

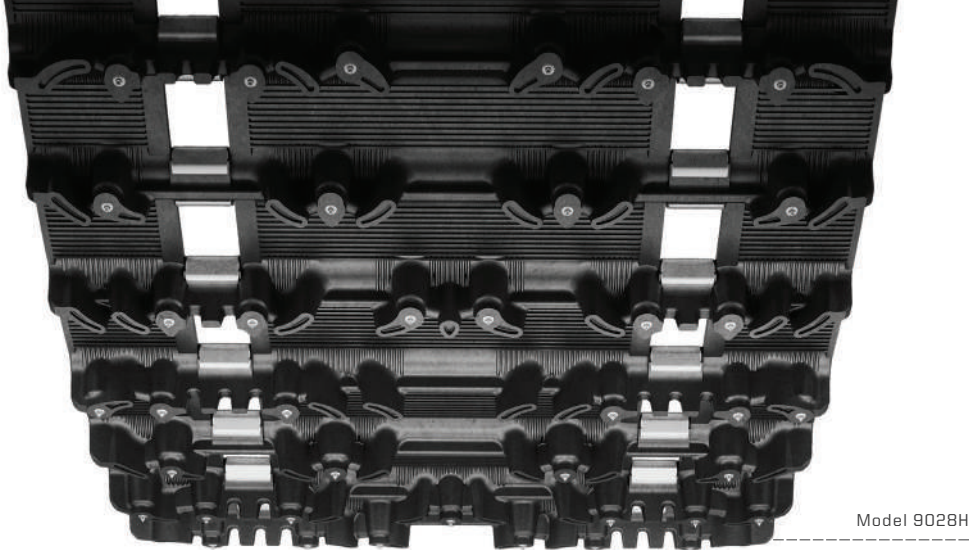


NAILED TO THE TRAIL

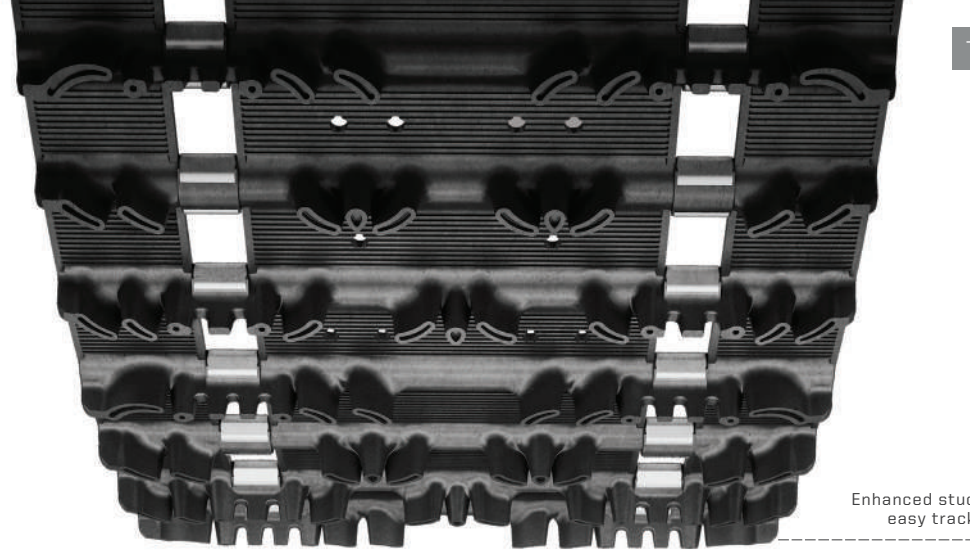
A highly aggressive trail model design featuring hundreds of sharp-tip lug studs, giving riders traction and control they can count on.

- Factory pre-studded for improved traction and control
- Lug design delivers better traction than the ICE Ripper XT
- 1.22" lug height provides better handling and stability
- Optimized rubber compound for superior traction on groomed trail

POLARIS MODEL#	CAMSO MODEL#	DIMENSIONS	LUG HEIGHT	WEIGHT	DRIVE PITCH	CLIP CONFIG.	PRICE
▲ ■ 2839190	9190H	15" x 120" (38 cm x 305 cm)	1.22" (31 mm)	37 lb (16.75 kg)	2.86" (73 mm)	Full	\$799 ⁹⁹
▲ ■ 2839191	9191H	15" x 137" (38 cm x 348 cm)	1.22" (31 mm)	42 lb (19 kg)	2.86" (73 mm)	Full	\$859 ⁹⁹
▲ ■ 2839200	9200H	15" x 121" (38 cm x 307 cm)	1.22" (31 mm)	40 lb (18.25 kg)	2.52" (64 mm)	Full	\$789 ⁹⁹
▲ ■ 2839201	9201H	15" x 128" (38 cm x 325 cm)	1.22" (31 mm)	42 lb (19 kg)	2.52" (64 mm)	Full	\$859 ⁹⁹
▲ ■ 2839202	9202H	15" x 136" (38 cm x 345 cm)	1.22" (31 mm)	45 lb (20.5 kg)	2.52" (64 mm)	Full	\$889 ⁹⁹
▲ ■ 2839203	9203H	15" x 144" (38 cm x 365 cm)	1.22" (31 mm)	47 lb (21.25 kg)	2.52" (64 mm)	Full	\$929 ⁹⁹
▲ ■ 2839236	9236H	15" x 129" (38 cm x 328 cm)	1.22" (31 mm)	39 lb (17.75 kg)	2.86" (73 mm)	Full	\$869 ⁹⁹



Model 9028H



Enhanced stud easy track

ICE ATTACK



TOP HANDLING AND SPEED FOR TRAIL CRUISING

Popular with trail cruisers, with tried-and-tested sharp-tip studs. An excellent choice for snowmobiles that cannot fit taller tracks, it's designed to deliver outstanding top speed and handling on hard-pack snow.

- Factory pre-studded with aggressive 31-point stud pattern
- HackSaw-based lug design for good top speed and handling on hard-pack snow
- 1.063" lug height for average trail use and efficiency
- 1.375" lug height for mixed on/off-trail use

	POLARIS MODEL#	CAMSO MODEL#	DIMENSIONS	LUG HEIGHT	WEIGHT	DRIVE PITCH	CLIP CONFIG.	PRICE
▲ ■	2839028	9028H	15" x 121" (38 cm x 307 cm)	1.063" (27 mm)	38 lb (17.25 kg)	2.52" (64 mm)	Full	\$729 ⁹⁹
▲ ■	2839029	9029H	15" x 136" (38 cm x 345 cm)	1.063" (27 mm)	43 lb (19.5 kg)	2.52" (64 mm)	Full	\$799 ⁹⁹
▲ ■	2839037	9037H	15" x 128" (38 cm x 325 cm)	1.063" (27 mm)	40 lb (18.25 kg)	2.52" (64 mm)	Full	\$789 ⁹⁹

HACKSAW



DURABILITY MEETS EFFICIENCY AND SPEED

A proven performer in the 1" category. Attack angle lugs guarantee superior performance on hard-groomed snow trails.

- 1" lug height for low rolling resistance that improves fuel economy
- Crescent lug features recessed tips and cutting edges for forward and lateral bite on hard-pack snow
- Hard-wearing rigid lugs for mile after mile of dependable use
- Narrow lug base to reduce rolling resistance and maximize top speed

POLARIS MODEL#	CAMSO MODEL#	DIMENSIONS	LUG HEIGHT	WEIGHT	DRIVE PITCH	CLIP CONFIG.	PRICE
2839009 5413198	9009H	15" x 121" (38 cm x 307 cm)	1" (25 mm)	33 lb (15 kg)	2.52" (64 mm)	Full	\$579 ⁹⁹
2839010 5413318	9010H	15" x 136" (38 cm x 345 cm)	1" (25 mm)	40 lb (18.25 kg)	2.52" (64 mm)	Full	\$659 ⁹⁹
5412943	9027H ¹	15" x 128" (38 cm x 325 cm)	1" (25 mm)	34 lb (15.4 kg)	2.52" (64 mm)	Full	\$913 ⁹⁹
2839234	9234H	15" x 128" (38 cm x 325 cm)	1" (25 mm)	35 lb (16 kg)	2.52" (64 mm)	Every 3 rd / open windows	\$509 ⁹⁹



WHICH CROSS OVER TRACK IS RIGHT FOR YOU?

CROSS OVER 50/50 AND BACKCOUNTRY RIDERS

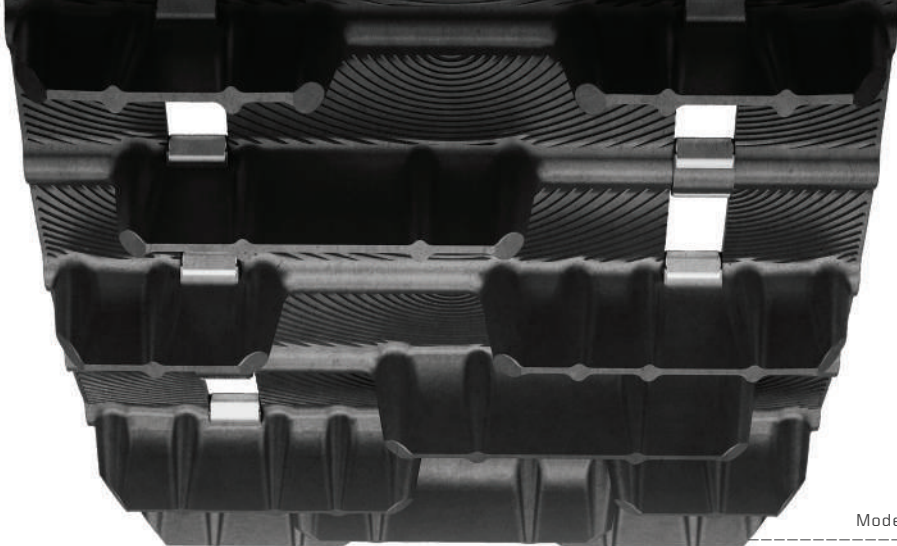
Boost your crossover or trail sled.

50/50 riders rack up the trail miles, but give them half a chance and they're off the trail, playing in an open, untracked meadow or riding a ditch line.

Backcountry riders don't need any second invitations to head out into untraveled, pristine powder and deep snow.

		TRACK / LUG HEIGHT (in)						
		BACKCOUNTRY X2	BACKCOUNTRY X	BACKCOUNTRY	ICE COBRA 1.6	COBRA 1.6	INTENSE	RIPSAW II 1.5
		2	1.75	1.75	1.6	1.6	1.5	1.5
RIDING STYLE	50/50				✓	✓	✓	✓
	BACKCOUNTRY	✓	✓	✓				





Model 9256C

BACKCOUNTRY X2

ON TRAIL

OFF TRAIL

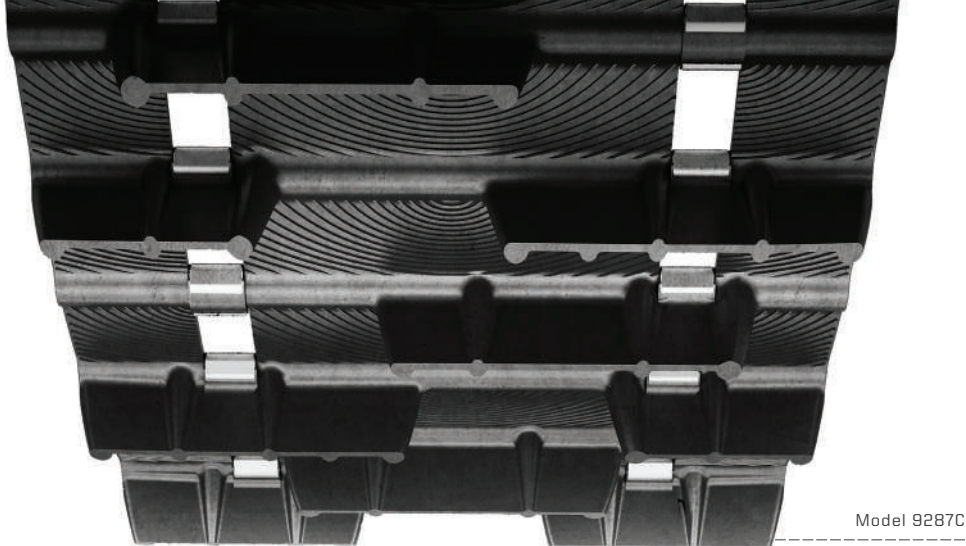
EXPLORE DEEPER

The BackCountry, taken to another level. Our most popular on/off-trail track, now with a lug height of 2" that lets you explore deep into the backcountry.

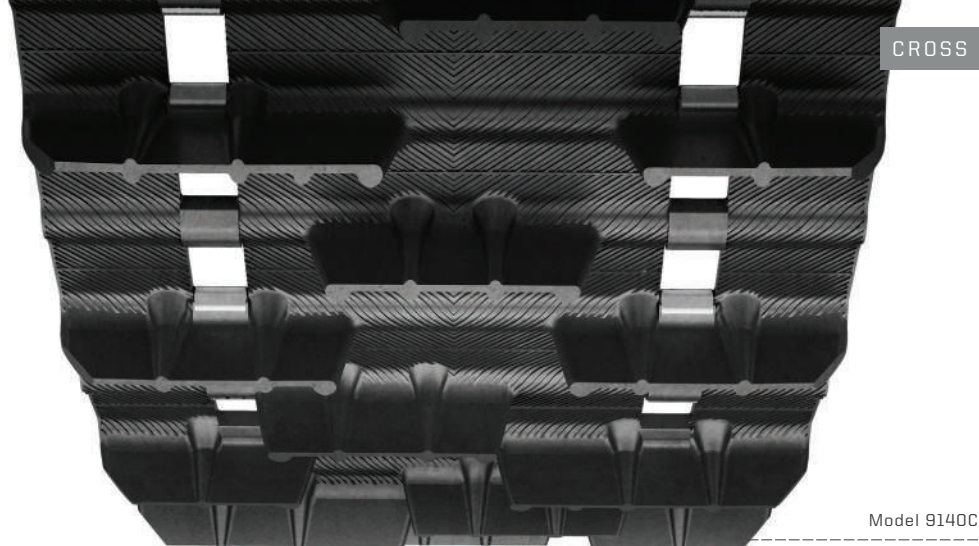
- Arched lug design with staggered snocross-inspired pattern for excellent soft snow traction
- Rigid lug support columns and optimized rubber compound to deliver great on/off-trail performance
- 2.86" drive pitch

POLARIS MODEL#	CAMSO MODEL#	DIMENSIONS	LUG HEIGHT	WEIGHT	DRIVE PITCH	CLIP CONFIG.	PRICE
2839256	9256C	15" x 120" (38 cm x 305 cm)	2" (51 mm)	41 lb (18.5 kg)	2.86" (73 mm)	Full	\$769 ⁹⁹
2839257	9257C	15" x 129" (38 cm x 328 cm)	2" (51 mm)	43 lb (19.5 kg)	2.86" (73 mm)	Full	\$819 ⁹⁹
2839258	9258C	15" x 137" (38 cm x 348 cm)	2" (51 mm)	46 lb (20.75 kg)	2.86" (73 mm)	Full	\$849 ⁹⁹





Model 9287C



Model 9140C

BACKCOUNTRY X



MAKE YOUR OWN PATH

Recognized as a front runner for on/off-trail riding, with a 1.75" lug height and increased drive pitch. Developed and tested in competitive snocross racing environments, it's designed with traction and durability in mind.

- Arched lug design with staggered snocross-inspired pattern for excellent soft snow traction
- 2.86" drive pitch models feature tapered lugs on outside edges for improved durability
- 3" drive pitch also available

POLARIS MODEL#	CAMSO MODEL#	DIMENSIONS	LUG HEIGHT	WEIGHT	DRIVE PITCH	CLIP CONFIG.	PRICE
2839287 5414894	9287C	15" x 120" (38 cm x 305 cm)	1.75" (44 mm)	39 lb (17.5 kg)	2.86" (73 mm)	Full	\$699 ⁹⁹
2839289 5414895	9289C	15" x 137" (38 cm x 345 cm)	1.75" (44 mm)	43 lb (19.5 kg)	2.86" (73 mm)	Full	\$779 ⁹⁹
2839328C	9328C	15" x 153" (38 cm x 388 cm)	1.75" (44 mm)	46 lb (20.75 kg)	3" (76 mm)	Full	\$879 ⁹⁹

BACKCOUNTRY

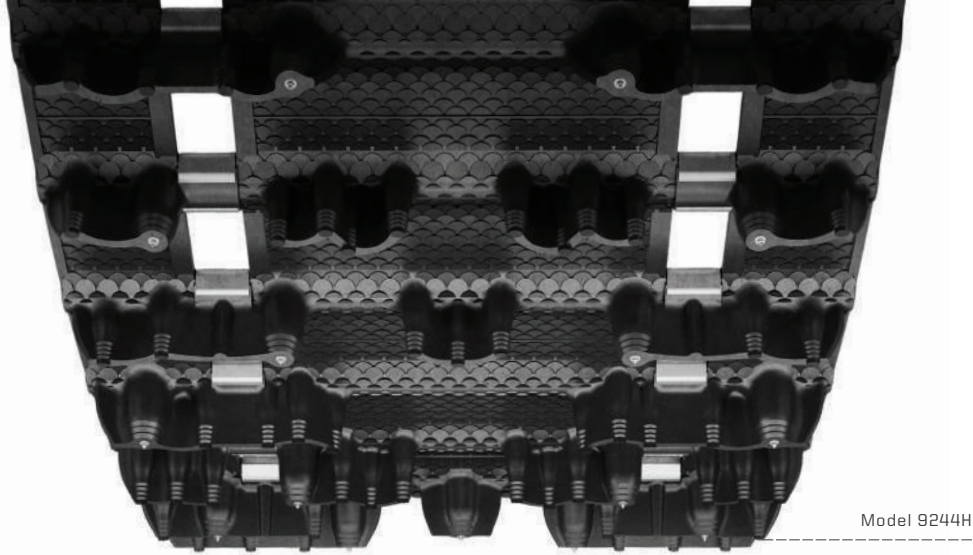


MAKE YOUR OWN PATH

Recognized as a front runner for on/off-trail riding, with a 1.75" lug height and increased drive pitch. Developed and tested in competitive snocross racing environments, it's designed with traction and durability in mind.

- Arched lug design with staggered snocross-inspired pattern for excellent soft snow traction
- 2.52" drive pitch

POLARIS MODEL#	CAMSO MODEL#	DIMENSIONS	LUG HEIGHT	WEIGHT	DRIVE PITCH	CLIP CONFIG.	PRICE
2839140 5415097	9140C	15" x 121" (38 cm x 307 cm)	1.75" (44 mm)	40 lb (18.25 kg)	2.52" (64 mm)	Full	\$699 ⁹⁹
2839142 5414378	9142C	15" x 136" (38 cm x 345 cm)	1.75" (44 mm)	44 lb (20 kg)	2.52" (64 mm)	Full	\$769 ⁹⁹
2839143 5415096	9143C	15" x 144" (38 cm x 366 cm)	1.75" (44 mm)	46 lb (20.75 kg)	2.52" (64 mm)	Full	\$859 ⁹⁹



Model 9244H

ICE COBRA 1.6

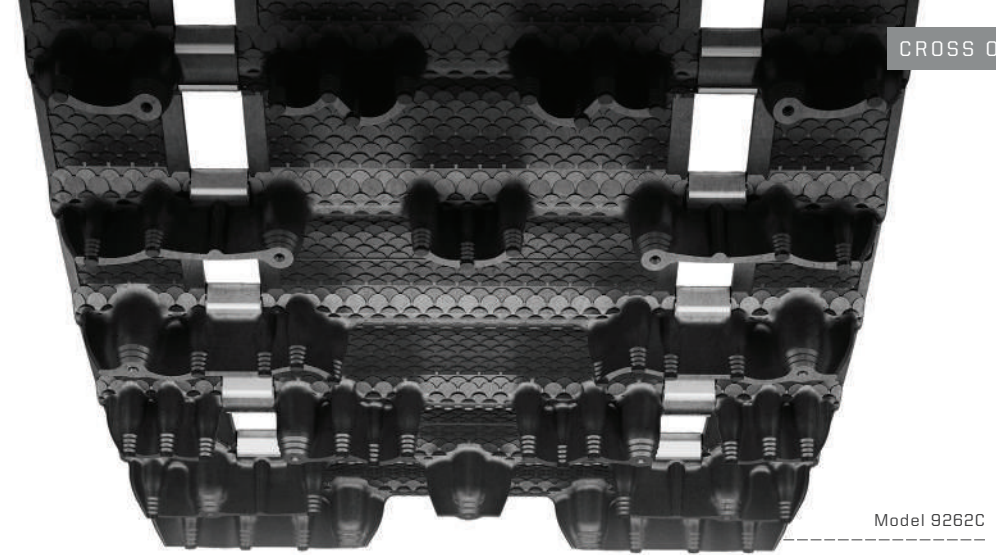


HARD GRIP IN SOFT SNOW

The "Denis Courtemanche Special Edition," in honor of our long-time recreational products director who has devoted 50 years to improving snowmobile track design. Factory pre-studded with 1.6" lugs for excellent all-round performance, especially on ungroomed trails.

- Cupped lugs for superior acceleration and braking in loose, soft snow conditions
- Flexible lug design for superior off-trail performance

	POLARIS MODEL#	CAMSO MODEL#	DIMENSIONS	LUG HEIGHT	WEIGHT	DRIVE PITCH	CLIP CONFIG.	PRICE
■ ▲	2839244	9244C	15" x 120" (38 cm x 305 cm)	1.6" (43 mm)	38 lb (17.25 kg)	2.86" (73 mm)	Full	\$779 ⁹⁹
■ ▲	2839245	9245C	15" x 129" (38 cm x 328 cm)	1.6" (43 mm)	41 lb (18.5 kg)	2.86" (73 mm)	Full	\$859 ⁹⁹
■ ▲	2839246	9246C	15" x 137" (38 cm x 348 cm)	1.6" (43 mm)	43 lb (19.5 kg)	2.86" (73 mm)	Full	\$859 ⁹⁹
■ ▲	2839273	9273C ¹	15" x 154" (38 cm x 391 cm)	1.6" (43 mm)	47 lb (21.25 kg)	2.86" (73 mm)	Full	\$889 ⁹⁹



Model 9262C

COBRA 1.6



PERFORMANCE, ON OR OFF THE TRAIL

The Cobra design taken to another level. Excellent performance on the soft, loose snow of ungroomed trails, now available in a 1.6" lug height for even better traction and performance while on/off-trail.

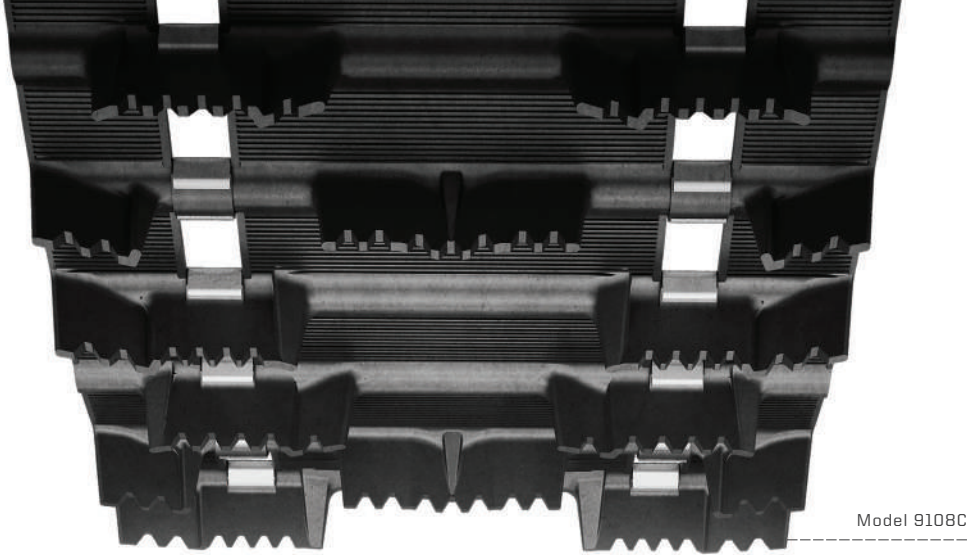
- Cupped lugs for superior acceleration and braking in loose, soft snow conditions
- Flexible lug design for superior off-trail performance
- Designed from factory pre-studded, select lugs are more rigid for traction on hard-packed snow performance

	POLARIS MODEL#	CAMSO MODEL#	DIMENSIONS	LUG HEIGHT	WEIGHT	DRIVE PITCH	CLIP CONFIG.	PRICE
■	2839262	9262C	15" x 120" (38 cm x 305 cm)	1.6" (43 mm)	38 lb (17.25 kg)	2.86" (73 mm)	Full	\$719 ⁹⁹
■	2839263	9263C	15" x 129" (38 cm x 328 cm)	1.6" (43 mm)	40 lb (18.25 kg)	2.86" (73 mm)	Full	\$769 ⁹⁹
■	2839264	9264C	15" x 137" (38 cm x 348 cm)	1.6" (43 mm)	43 lb (19.5 kg)	2.86" (73 mm)	Full	\$799 ⁹⁹
	2839291	9291C	15" x 120" (38 cm x 305 cm)	1.6" (43 mm)	39 lb (17.75 kg)	2.86" (73 mm)	Full	\$739 ⁹⁹
	2839292	9292C	15" x 129" (38 cm x 328 cm)	1.6" (43 mm)	41 lb (18.5 kg)	2.86" (73 mm)	Full	\$789 ⁹⁹
	5416162	9316C	15" x 144" (38 cm x 366 cm)	1.6" (43 mm)	49.5 lb (22.5 kg)	2.52" (64 mm)	Full	\$919 ⁹⁹
	2839283 5414902	9283C	15" x 155" (38 cm x 394 cm)	1.6" (43 mm)	47 lb (21.25 kg)	2.86" (73 mm)	Full	\$839 ⁹⁹

● Enhanced stud easy tracks ■ Single-ply construction ▲ Embedded sharp tip lug studs

24 ¹ These track models feature center hole for third driver.

All OE Replacement part numbers begin with 541xxxx. All general manufacture fitment tracks for Polaris® + other OE brands begin with 283+(Camso® Model ID).



Model 9108C

INTENSE

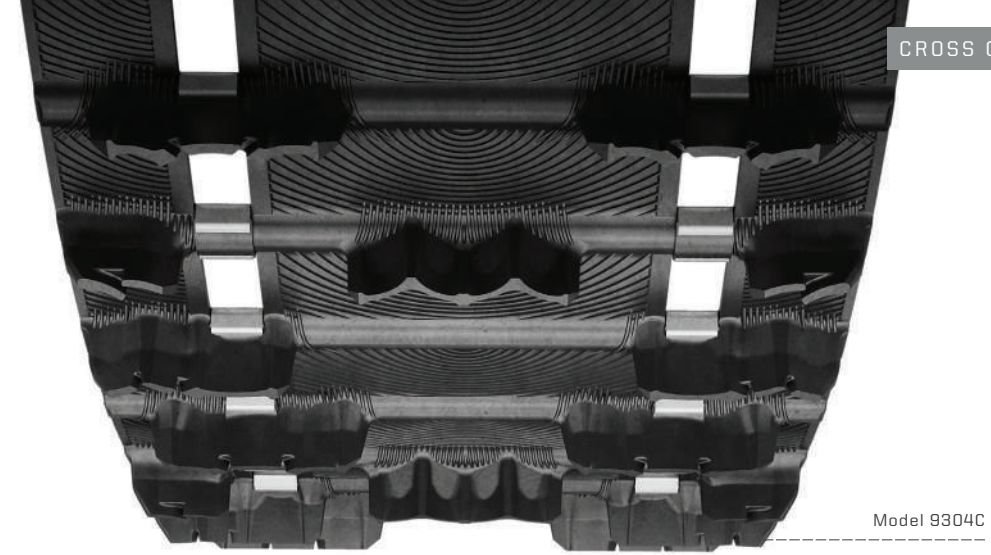


PURELY DRIVEN BY SNOW

Featuring a 1.5" lug height for on/off-trail riders, this long-time favorite has a proven record of performance and durability. Excellent performer in all types of snow conditions.

- Saw-tooth-tipped lugs provide excellent handling, acceleration and braking on packed trails
- V-shaped and full lugs for excellent traction in soft, loose snow

POLARIS MODEL#	CAMSO MODEL#	DIMENSIONS	LUG HEIGHT	WEIGHT	DRIVE PITCH	CLIP CONFIG.	PRICE
2839108 5413543	9108C	15" x 136" (38 cm x 345 cm)	1.5" (38 mm)	41 lb (18.5 kg)	2.52" (64 mm)	Full	\$719 ⁹⁹
2839930	9930C	15" x 121" (38 cm x 307 cm)	1.5" (38 mm)	39 lb (17.75 kg)	2.52" (64 mm)	Full	\$669 ⁹⁹



Model 9304C

RIPSAW II 1.5



ALL-AROUND ON/OFF-TRAIL PERFORMER

The RipSaw II, known for its versatility in all snow types, is taken to another level. Now boasting a 1.5" lug height, it's the track for the most demanding 50/50 rider.

- Sharp angled lugs provide excellent bite on hard-pack snow
- Cupped center and full outer lugs provide traction on loose, less compacted snow
- Tapered outside lug edges offer less side bite when cornering

POLARIS MODEL#	CAMSO MODEL#	DIMENSIONS	LUG HEIGHT	WEIGHT	DRIVE PITCH	CLIP CONFIG.	PRICE
2839304	9304C	15" x 120" (38 cm x 305 cm)	1.5" (38 mm)	37 lb (16.8 kg)	2.86" (73 mm)	Full	\$749 ⁹⁹
2839112 5413384	9112C	15" x 121" (38 cm x 307 cm)	1.5" (38 mm)	42.3 lb (19.2 kg)	2.52" (64 mm)	Full	\$689 ⁹⁹
2839305	9305C	15" x 129" (38 cm x 328 cm)	1.5" (38 mm)	39.5 lb (17.9 kg)	2.86" (73 mm)	Full	\$789 ⁹⁹ NEW
2839306	9306C	15" x 137" (38 cm x 348 cm)	1.5" (38 mm)	42 lb (19.1 kg)	2.86" (73 mm)	Full	\$819 ⁹⁹



MOUNTAIN DEEP SNOW AND EXTREME RIDERS

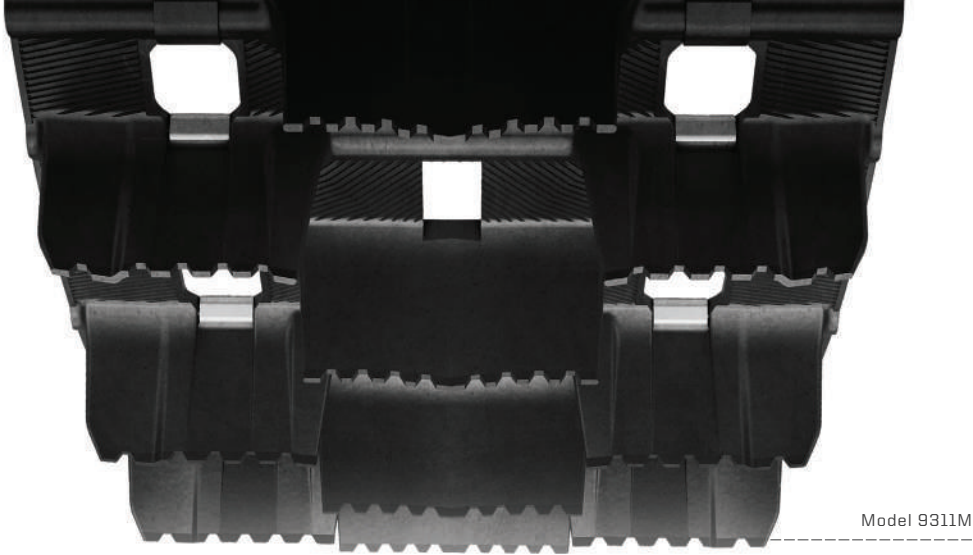
Heading up where few dare to go.

Deep snow mountain riders head up where few dare to go, and thrive on exploring the high country's open fields and boondocking through virgin forests.

Deep snow extreme riders push themselves and their sleds to the limit on bottomless powder and the steepest chutes.

WHICH MOUNTAIN TRACK IS RIGHT FOR YOU?

		TRACK / LUG HEIGHT (in)							
		CHALLENGER X3.2	CHALLENGER X3	CONQUER 280	CHALLENGER EXTREME (SAW TOOTH)	CHALLENGER EXTREME (FULL)	PEAK 2.5	PEAK 2.25	CHALLENGER
		3.2	3	2.8	2.5	2.5	2.5	2.25	2
RIDING STYLE	DEEP-SNOW				✓	✓	✓	✓	✓
	DEEP-SNOW EXTREME	✓	✓	✓					



Model 9311M

CHALLENGER X3.2

ON TRAIL

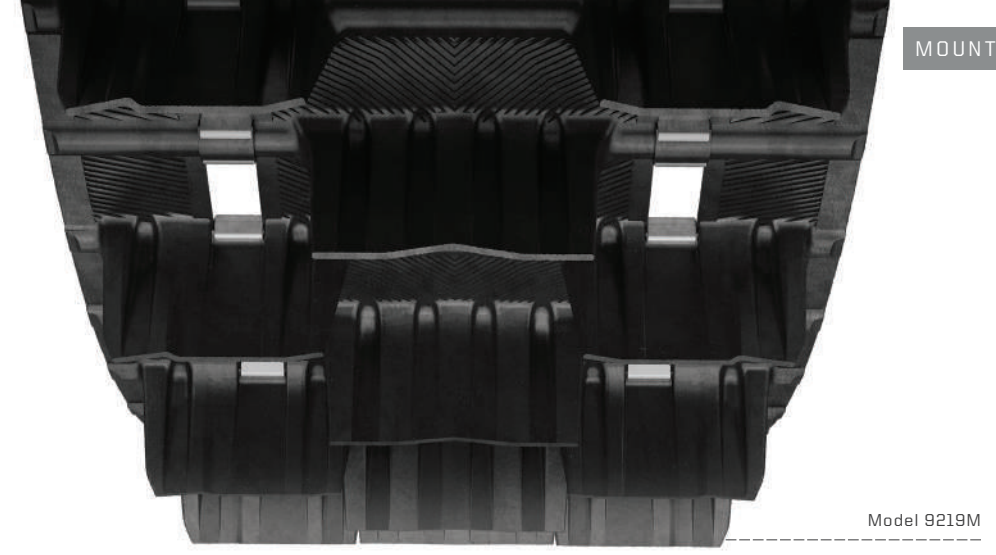
OFF TRAIL

TALLEST LUGS AROUND

Built on the performance of the Challenger X3, the X3.2 features the tallest lugs on the market. With notched lug tips for improved performance, it's one of the most versatile mountain tracks on the market.

- Saw-tooth lug design for improved traction and control on packed snow
- 3" drive pitch and advanced molding technology
- Lug geometry and support columns allow lug cup and flex action for unmatched flotation

POLARIS MODEL#	CAMSO MODEL#	DIMENSIONS	LUG HEIGHT	WEIGHT	DRIVE PITCH	CLIP CONFIG.	PRICE
2839311	9311M	15" x 174" (38 cm x 442 cm)	3.2" (81 mm)	59 lb (26.8 kg)	3" (76 mm)	Every 2 nd / open windows	\$1,689 ⁹⁹
2839319	9319M	15" x 162" (38 cm x 412 cm)	3.2" (81 mm)	54 lb (24.5 kg)	3" (76 mm)	Every 2 nd / open windows	\$1,359 ⁹⁹
2839320	9320M	15" x 156" (38 cm x 396 cm)	3.2" (81 mm)	52 lb (23.6 kg)	3" (76 mm)	Every 2 nd / open windows	\$1,319 ⁹⁹
2839321	9321M	15" x 153" (38 cm x 389 cm)	3.2" (81 mm)	51 lb (23.2 kg)	3" (76 mm)	Every 2 nd / open windows	\$1,309 ⁹⁹



Model 9219M

CHALLENGER X3

ON TRAIL

OFF TRAIL

MOVE THROUGH MOUNTAINS

Some of the tallest lugs on the market. With 3" lugs, this deep snow technical track provides an efficient and light ride for mountain riders craving performance in extreme powder and while boondocking through trees.

- Single-ply construction, 3" drive pitch and advanced molding technology
- Lug geometry and support columns allow lug cup and flex action for unmatched flotation

POLARIS MODEL#	CAMSO MODEL#	DIMENSIONS	LUG HEIGHT	WEIGHT	DRIVE PITCH	CLIP CONFIG.	PRICE
2839270-MSE	9270MSE	15" x 156" (38 cm x 396 cm)	3" (76 mm)	56.5 lb (25.6 kg)	3" (76 mm)	Full	\$1,259 ⁹⁹
2839220	9220M	15" x 162" (38 cm x 412 cm)	3" (76 mm)	59 lb (26.75 kg)	3" (76 mm)	Full	\$1,259 ⁹⁹
2839220-MSE	9220MSE ¹	15" x 162" (38 cm x 412 cm)	3" (76 mm)	58 lb (26.25 kg)	3" (76 mm)	Full	\$1,309 ⁹⁹
2839271	9271M	15" x 174" (38 cm x 442 cm)	3" (76 mm)	64 lb (29 kg)	3" (76 mm)	Full	\$1,579 ⁹⁹

● Enhanced stud easy tracks

■ Single-ply construction

▲ Embedded sharp tip lug studs

30 ¹ These track models feature center hole for third driver.

All OE Replacement part numbers begin with 541xxxx. All general manufacture fitment tracks for Polaris® + other OE brands begin with 283*(Camso® Model ID).



Model 9337M

CONQUER 280

ON TRAIL

OFF TRAIL

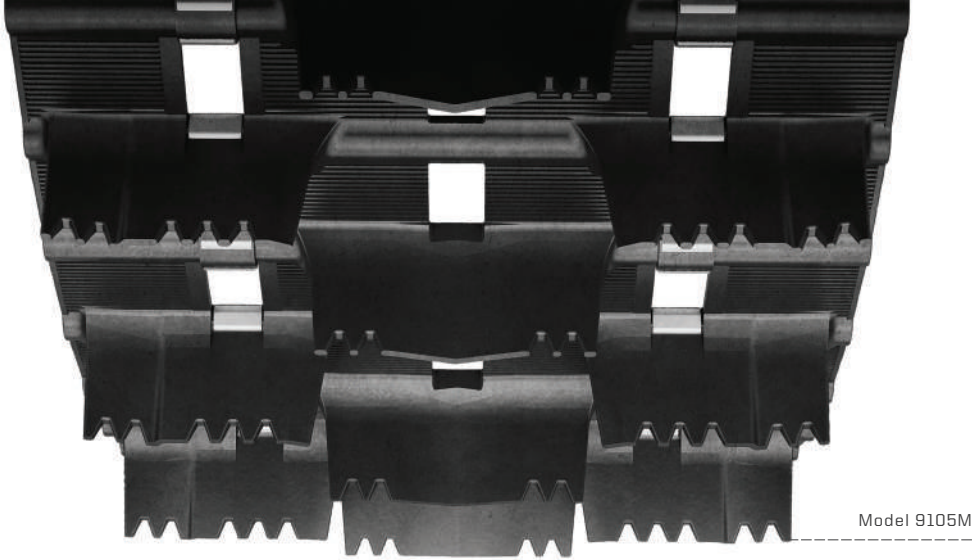
ABOVE AND BEYOND THE DEEP STUFF

Made to advance the mountain journey. The Conquer 280 is the lightest mountain design track providing the ultimate in flotation, traction and performance. Its next generation lug geometry reaches new levels of balance in deep snow.

- Lightweight model increases available HP thanks to less rotating mass
- New lug design requires 20% less rider input on turns and 25% less throttle to hold on side hills
- 2.8" alternating single-angled lugs push performance in all-season riding conditions

POLARIS MODEL#	CAMSO MODEL#	DIMENSIONS	LUG HEIGHT	WEIGHT	DRIVE PITCH	CLIP CONFIG.	PRICE
■ 2839334	9334M	15" x 174" (38 cm x 442 cm)	2.8" (71 mm)	49 lb (22.25 kg)	3" (76 mm)	Every 2 nd / open windows	\$1,429 ⁹⁹
■ 2839335	9335M	15" x 162" (38 cm x 411 cm)	2.8" (71 mm)	46 lb (20.75 kg)	3" (76 mm)	Every 2 nd / open windows	\$1,219 ⁹⁹
■ 2839336	9336M	15" x 156" (38 cm x 396 cm)	2.8" (71 mm)	44 lb (20 kg)	3" (76 mm)	Every 2 nd / open windows	\$1,169 ⁹⁹
■ 2839337	9337M	15" x 153" (38 cm x 389 cm)	2.8" (71 mm)	43 lb (19.5 kg)	3" (76 mm)	Every 2 nd / open windows	\$1,149 ⁹⁹
■ 2839340	9340M	15" x 165" (38 cm x 419 cm)	2.8" (71 mm)	45 lb (20.5 kg)	3.5" (89 mm)	Every 2 nd / open windows	\$1,299 ⁹⁹
■ 2839341	9341M	15" x 154" (38 cm x 391 cm)	2.8" (71 mm)	42 lb (19 kg)	3.5" (89 mm)	Every 2 nd / open windows	\$1,249 ⁹⁹ NEW





Model 9105M

CHALLENGER EXTREME SAW-TOOTH

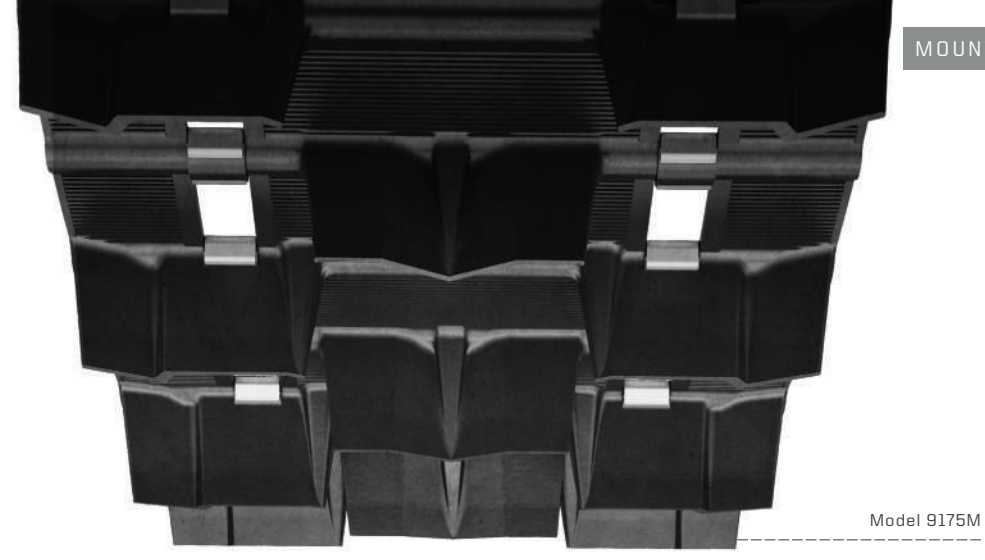


CHALLENGE THE MOUNTAIN IN ALL SNOW TYPES

Stems from the same design as the classic Challenger but adds even higher saw-tooth lugs that, while versatile, make boondocking bottomless powder and climbing the steepest chutes seem easy.

- Rigid proven design for all-around performance and durability
- Saw-tooth lug design feature for grip on trail and wind-blown snow
- Available in a full range of lengths up to 174" to fit all popular snowmobiles

POLARIS MODEL#	CAMSO MODEL#	DIMENSIONS	LUG HEIGHT	WEIGHT	DRIVE PITCH	CLIP CONFIG.	PRICE
■ 2839104	9104M ¹	15" x 154" (38 cm x 391 cm)	2.5" (64 mm)	57 lb (25.75 kg)	2.86" (73 mm)	Full	\$899 ⁹⁹
■ 2839105	9105M ¹	15" x 163" (38 cm x 414 cm)	2.5" (64 mm)	59 lb (26 kg)	2.86" (73 mm)	Full	\$939 ⁹⁹
■ 2839145	9145M ¹	15" x 146" (38 cm x 371 cm)	2.5" (64 mm)	52 lb (23.5 kg)	2.86" (73 mm)	Full	\$869 ⁹⁹



Model 9175M

CHALLENGER EXTREME FULL-CUPPED



CHALLENGE THE MOUNTAIN IN POWDER SNOW

Stems from the same design as the classic Challenger but with full-cupped lugs that are especially efficient in powder snow and make boondocking in bottomless powder seem easy.

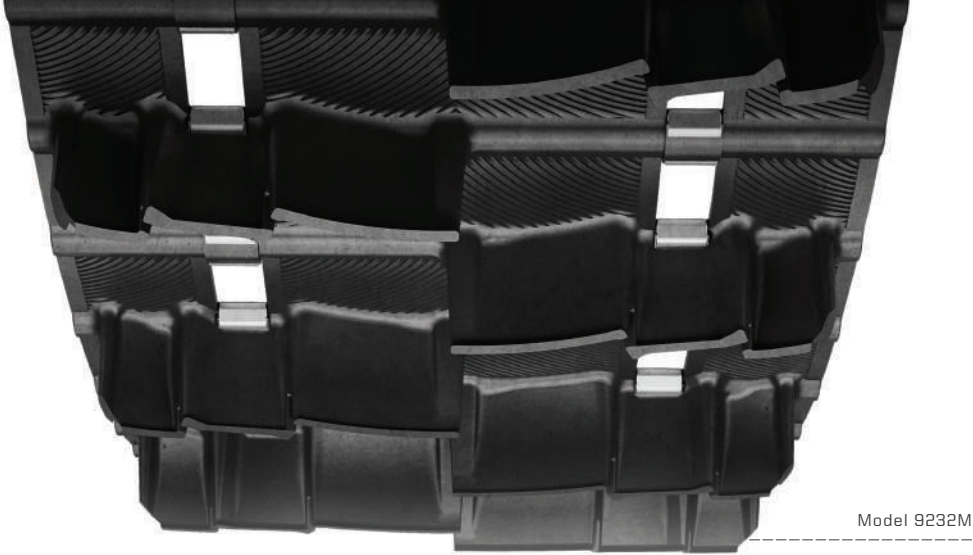
- Full-cupped and deep V lug design for soft powder snow flotation and traction
- 3" drive pitch available

POLARIS MODEL#	CAMSO MODEL#	DIMENSIONS	LUG HEIGHT	WEIGHT	DRIVE PITCH	CLIP CONFIG.	PRICE
■ 2839174	9174M	15" x 153" (38 cm x 389 cm)	2.5" (64 mm)	57 lb (25.75 kg)	3" (76 mm)	Full	\$899 ⁹⁹
■ 2839175	9175M	15" x 162" (38 cm x 412 cm)	2.5" (64 mm)	55 lb (25 kg)	3" (76 mm)	Full	\$949 ⁹⁹
■ 2839329	9329M	15" x 141" (38 cm x 382 cm)	2.5" (64 mm)	47 lb (21.3 kg)	3" (76 mm)	Full	\$879 ⁹⁹

● Enhanced stud easy tracks ■ Single-ply construction ▲ Embedded sharp tip lug studs

34 ¹ These track models feature center hole for third driver.

All OE Replacement part numbers begin with 541xxxx. All general manufacture fitment tracks for Polaris® + other OE brands begin with 283+(Camso® Model ID).



Model 9232M

PEAK 2.5/2.25



TRACTION FOR A VARIETY OF APPLICATIONS

Performs across a wide variety of snow conditions with 2.5" angular lugs. Funnels snow under your snowmobile for extra traction and outstanding flotation.

- Angular lugs bite big and funnel snow under snowmobile for outstanding flotation
- Available with soft lugs for powder snow and hard lugs for heavy/wet snow
- Outer lug bars deliver better lateral control for improved handling

POLARIS MODEL#	CAMSO MODEL#	DIMENSIONS	LUG HEIGHT	WEIGHT	DRIVE PITCH	CLIP CONFIG.	PRICE
■ 5416133	9182M ¹	15" x 146" (38 cm x 371 cm)	2.25" (57.2 mm)	55 lb (25 kg)	2.86" (73 mm)	Full	\$1,076 ⁹⁹
■ 2839230	9230M ¹	15" x 154" (38 cm x 392 cm)	2.5" (64 mm)	56 lb (25.5 kg)	2.86" (73 mm)	Full	\$989 ⁹⁹
■ 5415002	9065M	15" x 154" (38 cm x 391 cm)	2.25" (57.2 mm)	52.2 lb (23.7 kg)	2.86" (73 mm)	Staggered	\$942 ⁹⁹
■ 2839231	9231M ¹	15" x 163" (38 cm x 414 cm)	2.5" (64 mm)	59 lb (26.75 kg)	2.86" (73 mm)	Full	\$1,079 ⁹⁹



Model 9064M

CHALLENGER



RIDE THROUGH DEEP SNOW

A standard for deep lug tracks. Deep snow riding has never been so versatile and reliable. Delivers outstanding all-around performance in a wide range of mountain-riding conditions.

- 2" and 2.313" lugs heights for traction in deep snow
- Saw-tooth design provides versatility with grip and control on hard snow
- 15" and 16" track width available

POLARIS MODEL#	CAMSO MODEL#	DIMENSIONS	LUG HEIGHT	WEIGHT	DRIVE PITCH	CLIP CONFIG.	PRICE
■ 2839186	9186M	16" x 137" (41 cm x 348 cm)	2" (51 mm)	49 lb (22.25 kg)	2.86" (73 mm)	Full	\$829 ⁹⁹
■ 2839797	9797M	15" x 136" (38 cm x 345 cm)	2" (51 mm)	51 lb (23 kg)	2.52" (64 mm)	Full	\$779 ⁹⁹
■ 2839798	9798M	15" x 121" (38 cm x 307 cm)	2" (51 mm)	45 lb (20.5 kg)	2.52" (64 mm)	Full	\$709 ⁹⁹
■ 2839875	9875M	15" x 144" (38 cm x 366 cm)	2" (51 mm)	53 lb (24 kg)	2.52" (64 mm)	Full	\$889 ⁹⁹
■ 2839876	9876M	15" x 151" (38 cm x 383 cm)	2" (51 mm)	55 lb (25 kg)	2.52" (64 mm)	Full	\$919 ⁹⁹

● Enhanced stud easy tracks

■ Single-ply construction

▲ Embedded sharp tip lug studs

36 ¹ These track models feature center hole for third driver.

All OE Replacement part numbers begin with 541xxxx. All general manufacture fitment tracks for Polaris® + other OE brands begin with 283+(Camso® Model ID).



UTILITY HARD-WORKING RIDERS

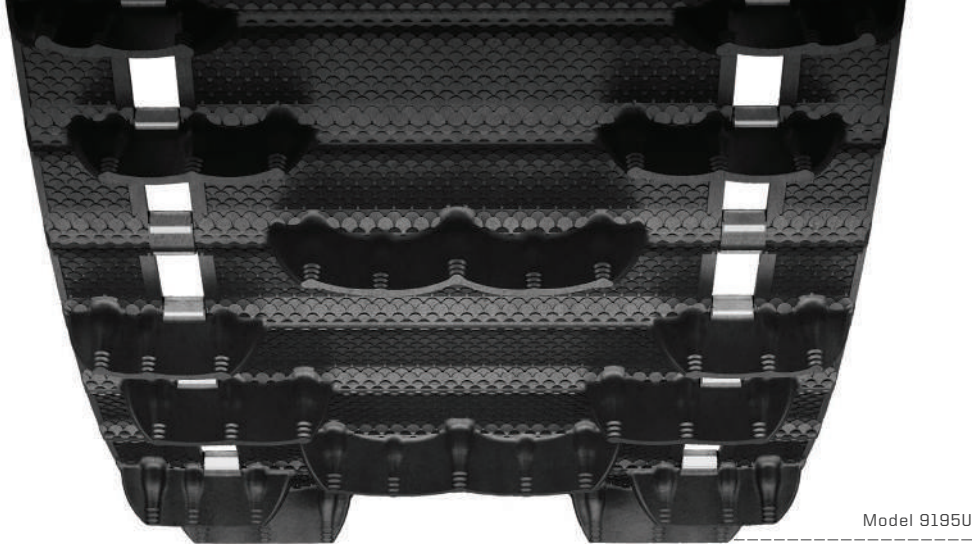
Working on snow, day after day.

Work utility riders have a job to do and need a track they can depend on.

Deep snow utility riders have to be confident that they can go anywhere, anytime, in demanding and unpredictable conditions.

WHICH UTILITY TRACK IS RIGHT FOR YOU?

		TRACK / LUG HEIGHT (in)			
		COBRA WT	COBRA WT	RIPSAW FULL	RIPSAW FULL
		1.8	1.5	1.375	1.25
RIDING STYLE	DEEP SNOW UTILITY	✓	✓		
	WORK UTILITY			✓	✓



Model 9195U

COBRA WT



HIGH-PERFORMANCE BELTING TO HANDLE HEAVIER LOADS

Wide-track design for performance with traction to spare in deep, soft or loose snow. Ideal for utility snowmobiles used off-trail with high-performance belting to handle heavier loads without track stretching.

POLARIS MODEL#	CAMSO MODEL#	DIMENSIONS	LUG HEIGHT	WEIGHT	DRIVE PITCH	CLIP CONFIG.	PRICE
■ 5416020	9195U	20" x 154" (50 cm x 392 cm)	1.8" (46 mm)	65 lb (29.5 kg)	2.86" (73 mm)	Full	\$983 ⁹⁹
■ 2839196 5415826	9196U	20" x 154" (50 cm x 392 cm)	1.5" (38 mm)	62 lb (28.25 kg)	2.86" (73 mm)	Full	\$919 ⁹⁹



Model 9002U

RIPS AW FULL



MILE AFTER MILE OF DEPENDABLE USE

A modified version of the tried-and-tested RipSaw design. Ideal for utility use, it features a full lug design and its 1.25" lug height is a popular upgrade for utility vehicles fitted with 1" lug tracks.

- 1.25" and 1.375" lug heights
- Full block lugs provide traction in soft, loose snow
- Angled lugs for aggressive forward and lateral bite on hard-packed snow

POLARIS MODEL#	CAMSO MODEL#	DIMENSIONS	LUG HEIGHT	WEIGHT	DRIVE PITCH	CLIP CONFIG.	PRICE
5413426	9002U	20" x 156" (50 cm x 396 cm)	1.25" (32 mm)	66 lb (30 kg)	2.52" (64 mm)	Full	\$1,145 ⁹⁹
■ 5416227	9089U	20" x 154" (50 cm x 391 cm)	1.375" (35 mm)	65 lb (29.5 kg)	2.86" (73 mm)	Full	\$922 ⁹⁹



Series 6

POLARIS MODEL#	DIMENSIONS	LUG HEIGHT	WEIGHT	DRIVE PITCH	CLIP CONFIG.	PRICE
5415391	15" x 155" (38 cm x 394 cm)	2.6" (66 mm)	45 lb (20.4 kg)	2.86" (73 mm)	Staggered	\$1,229 ⁹⁹
5415392	15" x 163" (38 cm x 414 cm)	2.6" (66 mm)	49 lb (22.2 kg)	2.86" (73 mm)	Staggered	\$1,332 ⁴⁹

Series 7

POLARIS MODEL#	DIMENSIONS	LUG HEIGHT	WEIGHT	DRIVE PITCH	CLIP CONFIG.	PRICE
5415393	15" x 155" (38 cm x 394 cm)	3" (76 mm)	52 lb (23.6 kg)	3" (76 mm)	Staggered	\$1,445 ²⁹
5415394	15" x 162" (38 cm x 412 cm)	3" (76 mm)	54 lb (24.5 kg)	3" (76 mm)	Staggered	\$1,496 ⁴⁹
5415786	15" x 174" (38 cm x 442 cm)	3" (76 mm)	57 lb (25.9 kg)	3" (76 mm)	Staggered	\$1,721 ⁹⁹

Energy

POLARIS MODEL#	DIMENSIONS	LUG HEIGHT	WEIGHT	DRIVE PITCH	CLIP CONFIG.	PRICE
2839793	15" x 121" (38 cm x 307 cm)	1" (25 mm)	33 lb (15 kg)	2.52" (64 mm)	Full	\$489 ⁹⁹
5412281	15" x 121" (38 cm x 307 cm)	1" (25 mm)	33 lb (15 kg)	2.52" (64 mm)	Every 3 rd	\$489 ⁹⁹
5414190	15" x 144" (38 cm x 366 cm)	1" (25 mm)	38 lb (17.25 kg)	2.52" (64 mm)	Full	\$1,008 ⁷⁹

Track Accessory

POLARIS MODEL#	ITEM	PRICE
5251273	Replacement Clip	\$2 ⁷⁹

OE Replacement

POLARIS MODEL#	DIMENSIONS	LUG HEIGHT	WEIGHT	DRIVE PITCH	CLIP CONFIG.	PRICE
5413040	15" x 144" (38 cm x 366 cm)	1.5" (38 mm)	45 lb (20.4 kg)	2.52" (64 mm)	Every 3 rd	\$973 ⁷⁹
5414453	20" x 156" (50 cm x 396 cm)	0.9" (22.9 mm)	63 lb (28.6 kg)	2.52" (64 mm)	Full	\$1,544 ⁴⁹
5416498	15" x 146" (38 cm x 371 cm)	2.25" (57.2 mm)	51 lb (23 kg)	2.86" (73 mm)	Staggered	\$942 ⁹⁹

Series 4

POLARIS MODEL#	DIMENSIONS	LUG HEIGHT	WEIGHT	DRIVE PITCH	CLIP CONFIG.	PRICE
5415692	15" x 144" (38 cm x 366 cm)	2" (51 mm)	47 lb (21.3 kg)	2.52" (64 mm)	Full	\$819 ⁴⁹

Series 5.1

POLARIS MODEL#	DIMENSIONS	LUG HEIGHT	WEIGHT	DRIVE PITCH	CLIP CONFIG.	PRICE
5413621	15" x 163" (38 cm x 414 cm)	2.4" (61 mm)	51 lb (23 kg)	2.86" (73 mm)	Staggered	\$1,086 ⁴⁹
5413622	15" x 155" (38 cm x 394 cm)	2.4" (61 mm)	49 lb (22.2 kg)	2.86" (73 mm)	Staggered	\$942 ⁹⁹

Competition

POLARIS MODEL#	DIMENSIONS	LUG HEIGHT	WEIGHT	DRIVE PITCH	CLIP CONFIG.	PRICE
5413490	15" x 146" (38 cm x 371 cm)	2" (51 mm)	51 lb (23 kg)	2.86" (73 mm)	Staggered	\$1,134 ⁷⁹
5413352	15" x 121" (38 cm x 307 cm)	1.75" (44 mm)	41 lb (18.5 kg)	2.52" (64 mm)	Full	\$672 ⁴⁹
5450277	15" x 120" (38 cm x 305 cm)	1.75" (44 mm)	37 lb (16.75 kg)	2.86" (73 mm)	Full	\$998 ²⁹

Youth 120

POLARIS MODEL#	DIMENSIONS	LUG HEIGHT	WEIGHT	DRIVE PITCH	CLIP CONFIG.	PRICE
5411751	15" x 68" (38 cm x 173 cm)	0.71" (18 mm)	12 lb (5.4 kg)	2.55" (65 mm)	Full	\$297 ²⁹

Snowbike

POLARIS MODEL#	DIMENSIONS	LUG HEIGHT	WEIGHT	DRIVE PITCH	CLIP CONFIG.	PRICE
5416238	15" x 120" (38 cm x 305 cm)	2.5" (64 mm)	34 lb (15.4 kg)	2.86" (73 mm)	Full	\$750
5416239	15" x 137" (38 cm x 348 cm)	2.5" (64 mm)	38 lb (17.2 kg)	2.86" (73 mm)	Full	\$850
5416310	15" x 120" (38 cm x 305 cm)	2.5" (64 mm)	31 lb (14.1 kg)	2.86" (73 mm)	Full	\$749 ⁹⁹
5416311	15" x 137" (38 cm x 348 cm)	2.5" (64 mm)	33 lb (15 kg)	2.86" (73 mm)	Full	\$849 ⁹⁹

All OE Replacement part numbers begin with 541xxxx. All general manufacture fitment tracks for Polaris® + other OE brands begin with 283+(Camsco® Model ID).

SPECIFICATIONS

LENGTH	LUG HEIGHT	CATEGORY	TRACK DESIGN	MODEL #	REF.	
68"	0.71"	Youth	Snowbike	5411751	P. 43	
	1"	Trail	RipSaw II	9158H	P. 13	
	1.22"	Trail	ICE Attak XT	9190H	P. 15	
	1.25"	Trail	RipSaw	9149H	P. 12	
	1.25"	Trail	RipSaw II	9156H	P. 13	
	1.25"	Trail	RipSaw II	9209H	P. 13	
	1.352"	Trail	Cobra	9284H	P. 11	
	1.5"	Trail	Storm 150	9368H	P. 10	
	120"	1.5"	Cross Over	RipSaw II 1.5	9304C	P. 27
		1.6"	Cross Over	Cobra 1.6	9291C	P. 25
1.6"		Cross Over	ICE Cobra 1.6	9244C	P. 24	
1.6"		Cross Over	Cobra 1.6	9262C	P. 25	
1.75"		Cross Over	BackCountry X	9287C	P. 22	
1.75"		Racing	Competition	5450277	P. 43	
2"		Cross Over	BackCountry X2	9256C	P. 20	
2.5"		Convex	Snowbike	5416238	P. 43	
2.5"		Convex	Snowbike	5416310	P. 43	
121"		1"	Trail	HackSaw	9009H	P. 17
	1"	Trail	Energy	2839793 5412281	P. 43	
	1.063"	Trail	ICE Attak	9028H	P. 16	
	1.22"	Trail	ICE Attak XT	9200H	P. 15	
	1.25"	Trail	ICE Ripper XT	9077H	P. 14	
	1.25"	Trail	RipSaw	9146M	P. 12	
	1.25"	Trail	RipSaw	9968H	P. 12	
	1.25"	Trail	RipSaw II	9214H	P. 13	
	1.352"	Trail	Cobra	9052H	P. 11	
	1.5"	Cross Over	Intense	9930C	P. 26	
128"	1.5"	Cross Over	RipSaw II 1.5	9112C	P. 27	
	1.75"	Cross Over	BackCountry	9140C	P. 23	
	1.75"	Varies	Competition	5413352	P. 43	
	2"	Mountain	Challenger	9798M	P. 37	
	1"	Trail	HackSaw	9234H	P. 17	
	1"	Trail	HackSaw	9027H	P. 17	
	1.063"	Trail	ICE Attak	9037H	P. 16	
	1.22"	Trail	ICE Attak XT	9201H	P. 15	
	1.25"	Trail	RipSaw	9001H	P. 12	
	1.25"	Trail	RipSaw II	9215H	P. 13	
1.352"	Trail	Cobra	9081H	P. 11		

LENGTH	LUG HEIGHT	CATEGORY	TRACK DESIGN	MODEL #	REF.
129"	1.22"	Trail	ICE Attak XT	9236H	P. 15
	1.352"	Trail	Cobra	9235H	P. 11
	1.5"	Trail	Storm 150	9369H	P. 10
	1.5"	Cross Over	RipSaw II 1.5	9305C	P. 27
	1.6"	Cross Over	Cobra 1.6	9263C	P. 25
	1.6"	Cross Over	Cobra 1.6	9292C	P. 25
	1.6"	Cross Over	ICE Cobra 1.6	9245C	P. 24
	2"	Cross Over	BackCountry X2	9257C	P. 20
	1"	Trail	HackSaw	9010H	P. 17
	1.063"	Trail	ICE Attak	9029H	P. 16
136"	1.22"	Trail	ICE Attak XT	9202H	P. 15
	1.25"	Trail	ICE Ripper XT	9079H	P. 14
	1.25"	Trail	RipSaw	9969H	P. 12
	1.25"	Trail	RipSaw II	9216H	P. 13
	1.352"	Trail	Cobra	9061H	P. 11
	1.5"	Cross Over	Intense	9108C	P. 26
	1.75"	Cross Over	BackCountry	9142C	P. 23
	2"	Mountain	Challenger	9797M	P. 37
	1.22"	Trail	ICE Attak XT	9191H	P. 15
	1.25"	Trail	RipSaw II	9223H	P. 13
137"	1.352"	Trail	Cobra	9307H	P. 11
	1.5"	Cross Over	RipSaw II 1.5	9306C	P. 27
	1.5"	Trail	Storm 150	9370H	P. 10
	1.6"	Cross Over	Cobra 1.6	9264C	P. 25
	1.6"	Cross Over	ICE Cobra 1.6	9246C	P. 24
	1.75"	Cross Over	BackCountry X	9289C	P. 22
	2"	Cross Over	BackCountry X2	9258C	P. 20
	2"	Mountain	Challenger	9186M	P. 37
	2.5"	Convex	Snowbike	5416239	P. 43
	2.5"	Convex	Snowbike	5416311	P. 43
141"	2.5"	Mountain	Challenger Extreme Full-Cupped	9329M	P. 35
	1"	Trail	Energy	5414190	P. 43
	1.22"	Trail	ICE Attak XT	9203H	P. 15
	1.352"	Trail	Cobra	9107H	P. 11
	1.5"	Varies	OE Replacement	5413040	P. 42
	1.6"	Cross Over	Cobra 1.6	9316C	P. 25
	1.75"	Cross Over	BackCountry	9143C	P. 23
	2"	Mountain	Series 4	5415692	P. 42
	2"	Mountain	Challenger	9875M	P. 37

SPECIFICATIONS

LENGTH	LUG HEIGHT	CATEGORY	TRACK DESIGN	MODEL #	REF.
146"	0.9"	Varies	OE Replacement	5414453	P. 42
	1.5"	Trail	Storm 150	9371H	P. 10
	2"	Varies	Competition	5413490	P. 43
	2.25"	Varies	OE Replacement	5416498	P. 42
	2.5"	Mountain	Challenger Extreme Saw-Tooth	9145M	P. 34
	2.5"	Mountain	Peak 2.5	9182M	P. 36
151"	2"	Mountain	Challenger	9876M	P. 37
	1.75"	Cross Over	BackCountry X	9328C	P. 22
153"	2.5"	Mountain	Challenger Extreme Full-Cupped	9174M	P. 35
	2.8"	Mountain	Conquer 280	9337M	P. 32
	3.2"	Mountain	Challenger X3.2	9321M	P. 30
154"	1.375"	Utility	RipSaw	9089U	P. 41
	1.5"	Utility	Cobra WT	9196U	P. 40
	1.6"	Cross Over	ICE Cobra 1.6	9273C	P. 24
	1.8"	Utility	Cobra WT	9195U	P. 40
	2.313"	Mountain	Challenger	9065M	P. 36
	2.5"	Mountain	Peak 2.5	9230M	P. 36
	2.5"	Mountain	Challenger Extreme Saw-Tooth	9104M	P. 34
	2.8"	Mountain	Conquer 280	9341M	P. 32
	1.6"	Cross Over	Cobra 1.6	9283C	P. 25
	2.4"	Mountain	Series 5.1	5413622	P. 42
155"	2.6"	Mountain	Series 6	5415391	P. 43
	3"	Mountain	Series 7	5415393	P. 43
	1.25"	Utility	RipSaw Full	9002U	P. 41
156"	2.8"	Mountain	Conquer 280	9336M	P. 32
	3"	Mountain	Challenger X3	9270MSE	P. 31
	3.2"	Mountain	Challenger X3.2	9320M	P. 30
	2.5"	Mountain	Challenger Extreme Full-Cupped	9175M	P. 35
162"	2.8"	Mountain	Conquer 280	9335M	P. 32
	3"	Mountain	Series 7	5415394	P. 43
	3"	Mountain	Challenger X3	9220M	P. 31
	3"	Mountain	Challenger X3	9220MSE	P. 31
	3.2"	Mountain	Challenger X3.2	9319M	P. 30
	2.4"	Mountain	Series 5.1	5413621	P. 42
163"	2.5"	Mountain	Peak 2.5	9231M	P. 36
	2.5"	Mountain	Challenger Extreme Saw-Tooth	9105M	P. 34
	2.6"	Mountain	Series 6	5415392	P. 43
165"	2.8"	Mountain	Conquer 280	9340M	P. 32
	3"	Mountain	Challenger X3.2	9271M	P. 31
174"	3"	Mountain	Series 7	5415786	P. 43
	3.2"	Mountain	Challenger X3.2	9311M	P. 30
	3.8"	Mountain	Conquer 280	9334M	P. 32

NEW





POLARIS®



**ROAD
FREE
COMPANY**

FORMERLY
CAMOPLAST
SOLIDEAL



Not all tracks can be installed without modifications. Please see your Camsco® dealer for installation assistance. Due to our ongoing commitment to quality and innovation, Camsco Inc. reserves the right to discontinue or change models, specifications, designs, or equipment without incurring any obligation. Camsco® sells only through authorized distributors. Contact your local dealer for availability and pricing. Camsco snowmobile tracks are manufactured in the United States of America. Polaris® is a registered trademark of Polaris Industries Inc. Camsco® is a registered trademark of Artic Investments S.A.